

**SPECIFICATION DATA SHEET**

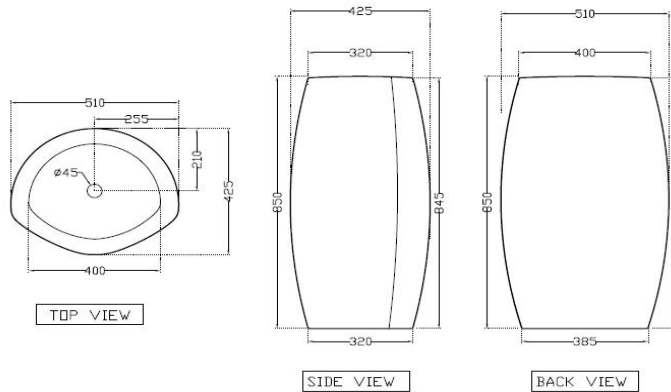
**PRODUCT DETAILS**

<b>Manufacturer :</b>	Artize	<b>Type:</b>	Floor standing Basin
<b>Range</b>	Designer	<b>Colour:</b>	White
<b>Outlet</b>	Horizontal	<b>Material:</b>	Ceramic - Vitreous China
<b>Technical Details:</b>	ID of waste outlet hole 45 $\phi$ +2 -1 mm	<b>BOM doc.NO.</b>	ASW/03/2018/37
	Horizontal distance between the Bowl edge and the centre line of the waste outlet hole $\leq$ 210 mm		

**ARTICLE NAME: FLOOR STANDING BASIN**



**TECHNICAL DIMENSIONS**



ALL DIMENSIONS ARE IN MM.  
(TOLERANCE  $\pm$  5 MM)

**PRODUCT DIMENSIONS**

Length (mm)	Width (mm)	Height (mm)	Net weight (kg)
510	425	850	43.2

**USP**

Dual Colour Floor Standing Basin

**ACCESSORIES PROVIDED**

Fixing screw

**CARE AND CLEANING GUIDELINES**

- ★ Vitreous china sanitary ware products are fragile in nature and need to be handled with care (to avoid personal injury) at all times during its storage, handling, installation and use thereafter.
- ★ The product is heavy and it is recommended that two persons hold it while it is being fixed.
- ★ Carefully inspect the new product for damage before installation.
- ★ Risk of product damage. Over tightening may cause breakage or chipping of vitreous china.
- ★ Risk of external leakage. Do not lift or rock the bowl after placement.
- ★ Always test your cleaning solution on an inconspicuous area on the product before applying it to the entire surface.
- ★ Do not allow cleaners to sit or soak on the product.
- ★ Use a soft, dampened sponge or cloth to clean. Never use abrasive material like a bristle brush or scouring pad.
- ★ Wipe surfaces clean and rinse completely with water immediately after applying cleaners.
- ★ Clean Chrome, stainless steel surfaces once a week. Do not use cleaners containing chloride on chrome, stainless steel. If used, rinse the surface immediately to prevent corrosion.
- ★ Wherever chrome plating is used on the products, use only warm water to clean and then dry with a soft cloth.

**CERTIFICATION**

Compliance : EN 14688:2015 (E)



**PACKAGING DETAIL**

Length (mm)	Width (mm)	Height (mm)	Gross Weight(kg)
520	930	550	46

**LOADING PALLET DETAIL**

Length (mm)	Width (mm)	Height (mm)	no of pieces on pallet
1140	1140	2285	8



Prepared By Designer Date	Controlled By Quality control	Verified By Product Manager	Approved By Sanitaryware Head
Revision/Version	1	Plotter Updated on	Month 28-Aug Year 2019