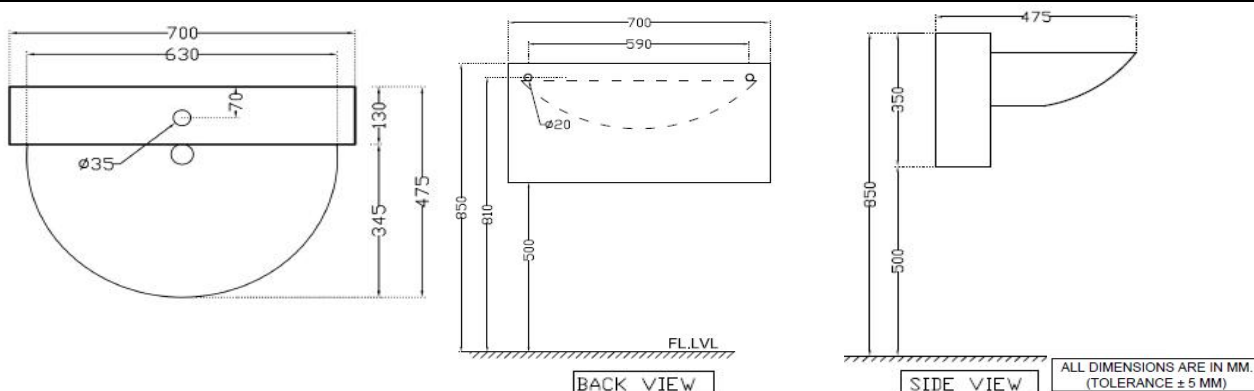


SPECIFICATION DATA SHEET
PRODUCT DETAILS

| | | | |
|---------------------------|---|--------------------|--------------------------|
| Manufacturer : | Artize | Type: | Wall Hung Basin |
| Range | Designer | Colour: | White |
| Outlet | Horizontal | Material: | Ceramic - Vitreous China |
| Technical Details: | Diameter of the tap hole $35\varnothing +2 -1$ mm, | BOM doc.NO. | ASW/03/2018/06 |
| | ID of waste outlet hole $45\varnothing +2 -3$ mm Horizontal distance between the centre line of the tap hole and the centre line of the waste outlet hole ≤ 82 mm | | |

ARTICLE NAME: WALL HUNG BASIN

TECHNICAL DIMENSIONS


| PRODUCT DIMENSIONS | | | | USP |
|--------------------|------------|-------------|-----------------|---------------------|
| Length (mm) | Width (mm) | Height (mm) | Net weight (kg) | Basin with Tap Hole |
| 700 | 475 | 350 | 23.8 | |

ACCESSORIES PROVIDED

| | |
|----------------------------------|--------------|
| Rag bolt | ZPS-SNS-RB08 |
| Out let Fixing kit (Bottle Trap) | ADS-WHT-1210 |

CARE AND CLEANING GUIDELINES

- ★ Vitreous china sanitary ware products are fragile in nature and need to be handled with care (to avoid personal injury) at all times during its storage, handling, installation and use thereafter.
- ★ The product is heavy and it is recommended that two persons hold it while it is being fixed.
- ★ Carefully inspect the new product for damage before installation.
- ★ Risk of product damage. Over tightening may cause breakage or chipping of vitreous china.
- ★ Risk of external leakage. Do not lift or rock the bowl after placement.
- ★ Always test your cleaning solution on an inconspicuous area on the product before applying it to the entire surface.
- ★ Do not allow cleaners to sit or soak on the product.
- ★ Use a soft, dampened sponge or cloth to clean. Never use abrasive material like a bristle brush or scouring pad.
- ★ Wipe surfaces clean and rinse completely with water immediately after applying cleaners.
- ★ Clean Chrome, stainless steel surfaces once a week. Do not use cleaners containing chloride on chrome, stainless steel. If used, rinse the surface immediately to prevent corrosion.
- ★ Wherever chrome plating is used on the products, use only warm water to clean and then dry with a soft cloth.

CERTIFICATION
Compliance : EN 14688:2015 (E)


| PACKAGING DETAIL | | | | LOADING PALLET DETAIL | | | |
|------------------|------------|-------------|------------------|-----------------------|------------|-------------|------------------------|
| Length (mm) | Width (mm) | Height (mm) | Gross Weight(kg) | Length (mm) | Width (mm) | Height (mm) | no of pieces on pallet |
| 710 | 485 | 360 | 25.32 | 1140 | 1140 | 2285 | |



| | | | |
|---------------------------------|----------------------------------|--------------------------------|----------------------------------|
| Prepared By Designer Date | Controlled By Quality control | Verified By Product Manager | Approved By Sanitaryware Head |
| Revision/Version | 1 | Plotter Updated cMonth | 28-Aug Year 2019 |