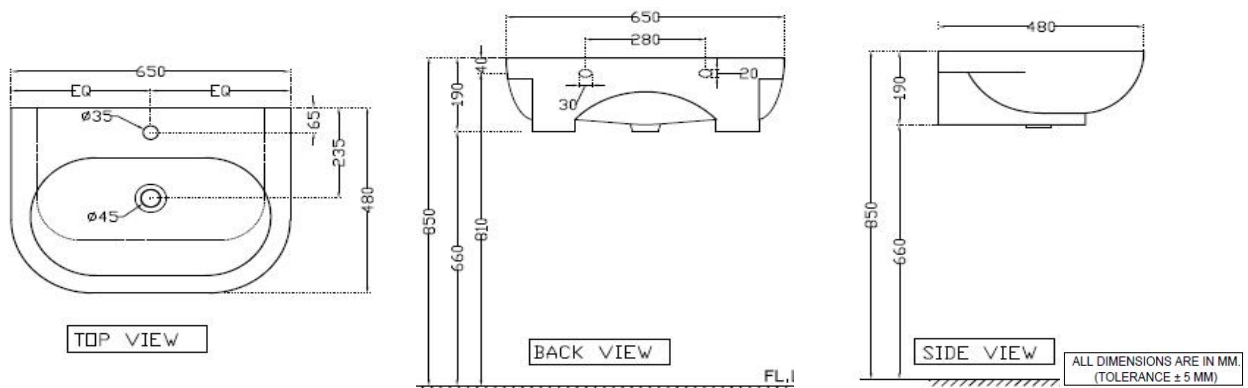


SPECIFICATION DATA SHEET
PRODUCT DETAILS

Manufacturer :	Artize	Type:	Wall Hung Basin
Range	Cellini	Colour:	White
Outlet	Horizontal	Material:	Ceramic - Vitreous China
Technical Details:	Diameter of the tap hole 35 \varnothing +2 -1 mm,	BOM doc.NO.	ASW/03/2018/21
	ID of waste outlet hole 45 \varnothing +2 -3 mm Horizontal distance between the centre line of the tap hole and the centre line of the waste outlet hole \leq 170 mm		

ARTICLE NAME: WALL HUNG BASIN

TECHNICAL DIMENSIONS


PRODUCT DIMENSIONS				USP
Length (mm)	Width (mm)	Height (mm)	Net weight (kg)	Basin with Over Flow Hole
650	480	190	20.45	

ACCESSORIES PROVIDED

Overflow hole Cap	ZPS-WHT-9014
Rag bolt	ZPS-SNS-RB08

CARE AND CLEANING GUIDELINES

- ★ Vitreous china sanitary ware products are fragile in nature and need to be handled with care (to avoid personal injury) at all times during its storage, handling, installation and use thereafter.
- ★ The product is heavy and it is recommended that two persons hold it while it is being fixed.
- ★ Carefully inspect the new product for damage before installation.
- ★ Risk of product damage. Over tightening may cause breakage or chipping of vitreous china.
- ★ Risk of external leakage. Do not lift or rock the bowl after placement.
- ★ Always test your cleaning solution on an inconspicuous area on the product before applying it to the entire surface.
- ★ Do not allow cleaners to sit or soak on the product.
- ★ Use a soft, dampened sponge or cloth to clean. Never use abrasive material like a bristle brush or scouring pad.
- ★ Wipe surfaces clean and rinse completely with water immediately after applying cleaners.
- ★ Clean Chrome, stainless steel surfaces once a week. Do not use cleaners containing chloride on chrome, stainless steel. If used, rinse the surface immediately to prevent corrosion.
- ★ Wherever chrome plating is used on the products, use only warm water to clean and then dry with a soft cloth.

CERTIFICATION
Compliance : EN 14688:2015 (E)


PACKAGING DETAIL				LOADING PALLET DETAIL			
Length (mm)	Width (mm)	Height (mm)	Gross Weight(kg)	Length (mm)	Width (mm)	Height (mm)	no of pieces on pallet
720	520	210	22.35	1140	1140	2285	44



Prepared By Designer Date	Controlled By Quality control	Verified By Product Manager	Approved By Sanitaryware Head
Revision/Version	1	Plotter Updated on	Month 28-Aug Year 2019